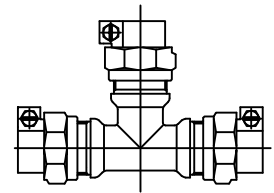


Cambridge Brass  
P.O. Box 249  
140 Orion Place  
Cambridge, Ontario  
Canada N1R 5V1  
Tel: (519) 621-5520  
Fax: (519) 621-8674  
http://www.cambridgebrass.com

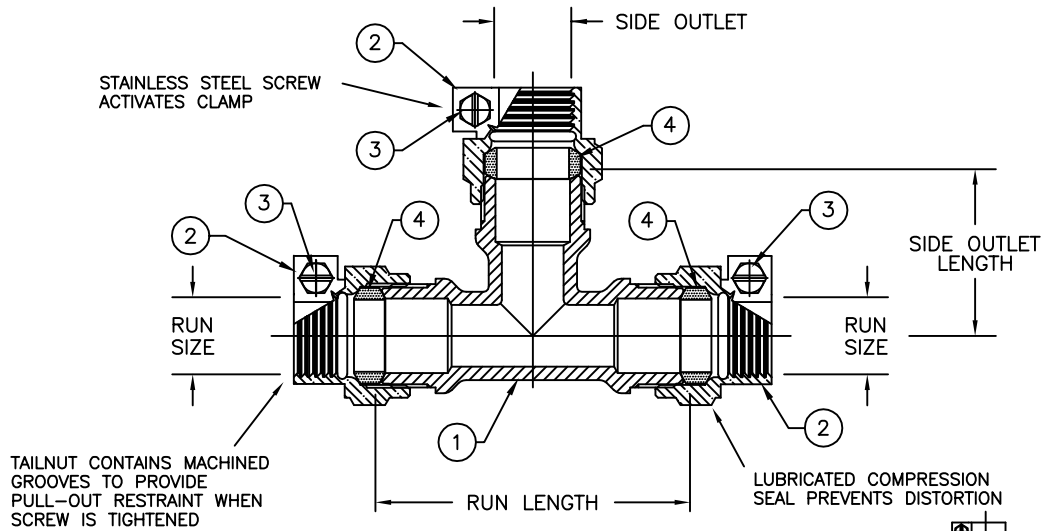


MODEL NO. 150NL

CAMPAK x CAMPAK x CAMPAK

SERVICE TEE

FOR COPPER OR PLASTIC (CTS) TUBING

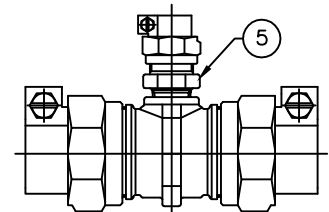


PARTS AND MATERIAL:

1. TEE BODY: CAST BRASS, ALLOY C89833
2. COMPRESSION NUT: CAST BRASS, ALLOY C83600
3. SCREW: STAINLESS STEEL, ALLOY 304
4. COMPRESSION SEAL: NITRILE RUBBER
5. ADAPTER: CAST BRASS, ALLOY C89833

FEATURES:

- CONFORMS TO AWWA C800 (ASTM B584 UNS C89833 FOR ALL BRASS PARTS IN CONTACT WITH POTABLE WATER)
- CONFORMS TO ANSI/NSF 61-8
- CONFORMS TO ANSI/NSF 372 (COMPLIANT WITH US Safe Drinking Water Act. PL 111-380)
- 300PSI WORKING PRESSURE



1 1/2" x 1 1/2" x 3/4" CONFIGURATION  
2" x 2" x 3/4" CONFIGURATION  
2" x 2" x 1" CONFIGURATION

Cambridge Brass considers the information in this submittal form to be correct at the time of publication. Item and option availability, including specifications, are subject to change without notice.

TEE SIZE	CATALOG No.	RUN SIZE (BOTH ENDS)	SIDE OUTLET	RUN LENGTH	SIDE OUTLET LENGTH	APPROX. WT. LBS.
3/4" x 3/4" x 3/4"	150NL-B3B3	3/4"	3/4"	3.66"	1.94"	1.9
3/4" x 3/4" x 1"	150NL-B3B4	3/4"	1"	3.66"	1.94"	2.3
1" x 1" x 1"	150NL-B4B4	1"	1"	4.20"	2.10"	2.7
1 1/2" x 1 1/2" x 3/4"	150NL-B6B3	1 1/2"	3/4"	3.40"	1.42"	4.1
2" x 2" x 3/4"	150NL-B7B3	2"	3/4"	4.16"	2.65"	5.6
2" x 2" x 1"	150NL-B7B4	2"	1"	4.15"	1.60"	5.8
2" x 2" x 2"	150NL-B7B7	2"	2"	7.38"	3.69"	7.0

Submitted by: